



### Main

Range of product	Modicon M340 automation platform
Product or component type	Discrete input module
Electrical connection	20-way connector
Discrete input number	16
Discrete input type	Isolated
Input type	Capacitive
Discrete input voltage	100...120 V AC
Discrete input current	5 mA
Input compatibility	With 2-wire/3-wire proximity sensors conforming to IEC 60947-5-2

### Complementary

Network frequency	50/60 Hz
Network frequency limits	47...63 Hz
Sensor power supply	20...26 V
Voltage state 1 guaranteed	$\geq 74$ V
Current state 1 guaranteed	$\geq 2.5$ mA
Voltage state 0 guaranteed	$\leq 20$ V
Current state 0 guaranteed	$\leq 1$ mA
Input impedance	13000 Ohm
Insulation resistance	$> 10$ MOhm 500 V DC
Power dissipation in W	$\leq 3.8$ W
AC activation filtering time	10 ms
AC deactivation filtering time	20 ms
Typical current consumption	90 mA at 3.3 V DC
MTBF reliability	1504958 H
Protection type	1 external fuse per group of channel 0.5 A fast blow
Voltage detection threshold	$< 40$ V DC sensor fault

Disclaimer: This documentation is not intended as a substitute for and is not to be used for determining suitability or reliability of these products for specific user applications

> 82 V DC sensor OK

Status LED	1 LED green for module operating (RUN) 1 LED per channel green for channel diagnostic 1 LED red for module I/O 1 LED red for module error (ERR)
Product weight	0.115 kg

## Environment

IP degree of protection	IP20
Standards	UL 508 CSA C22.2 No 142 IEC 1131-2 IEC 664 NF C 63-850 UL 746C
Dielectric strength	1500 V AC at 50/60 Hz 1 min
Ambient air temperature for operation	0...60 °C
Relative humidity	10...95 % without condensation
Protective treatment	TC

## Offer Sustainability

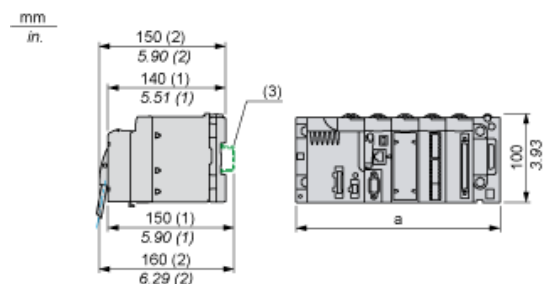
Sustainable offer status	Green Premium product
RoHS (date code: YYWW)	Compliant - since 0805 - Schneider Electric declaration of conformity <a href="#">Schneider Electric declaration of conformity</a>
REACH	Reference contains SVHC above the threshold - Go to CaP for more details <a href="#">Go to CaP for more details</a>
Product environmental profile	Available <a href="#">Product environmental</a>
Product end of life instructions	Available <a href="#">End of life manual</a>

## Contractual warranty

Warranty period	18 months
-----------------	-----------

Modules Mounted on Racks

Dimensions

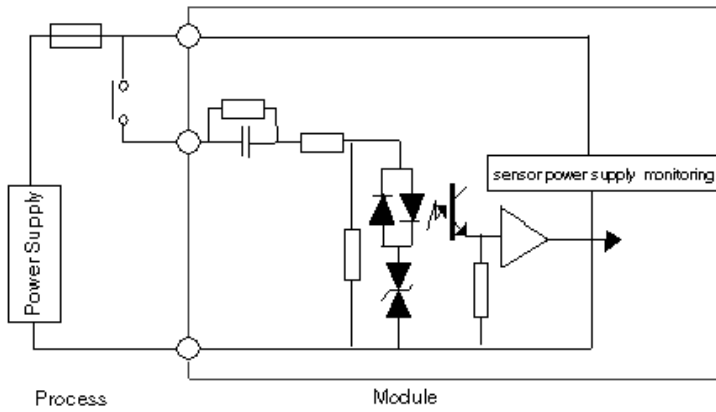


- (1) With removable terminal block (cage, screw or spring).
- (2) With FCN connector.
- (3) On AM1 ED rail: 35 mm wide, 15 mm deep. Only possible with BMXXBP0400/0400H/0600/0600H/0800/0800H rack.

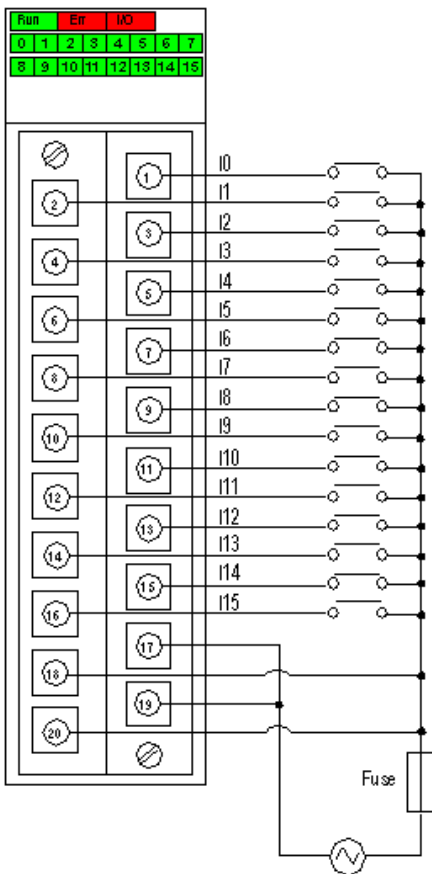
Rack references	a in mm	a in in.
BMXXBP0400 and BMXXBP0400H	242.4	09.54
BMXXBP0600 and BMXXBP0600H	307.6	12.11
BMXXBP0800 and BMXXBP0800H	372.8	14.68
BMXXBP1200 and BMXXBP1200H	503.2	19.81

Connecting the Module

Input Circuit Diagram



Module Connection



power supply 20 VAC  
fuse fast blow fuse of 0.5 A